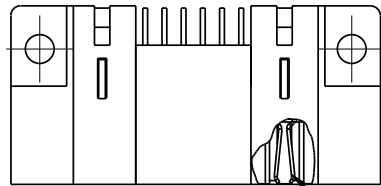


Tous droits strictement réservés. Reproduction ou communication o des liers interdite sous quelque forme que ce soit sans autorisation écrite du propriétaire. Propriété de c FCI. Droits de reproduction FCI.

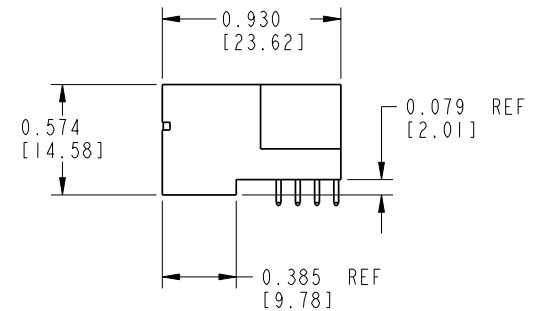
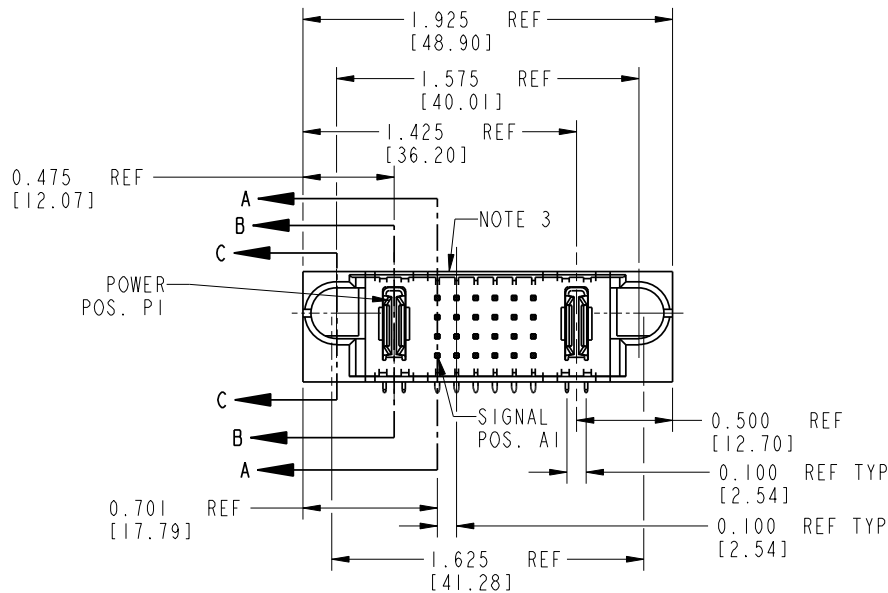
All rights strictly reserved. Reproduction or issue to third parties in any form whatever is not permitted without written authority from the proprietor. Property of FCI. Copyright FCI.

FCI

PRODUCT No.	ROWS	POWER		SIGNAL						POWER	
		E1	P1	1	2	3	4	5	6	P2	E2
51882-001- NOTE: ②	D C B A		PA	UUUUUU	TTTTTTT	SSSSSS	SSSSSS	SSSSSS	SSSSSS	PA	



NOTE 10
TYP



CONFIDENTIAL

CODE	DIM "M" ±0.010 [0.25]	CONTACT TYPE
F	0.220 [5.59]	SIGNAL
R	0.270 [6.86]	SIGNAL
S	0.270 [6.86]	SIGNAL
T	0.270 [6.86]	SIGNAL
U	0.270 [6.86]	SIGNAL
PA	N/A [N/A]	POWER

mat'l code				SEE NOTES		tolerances unless otherwise specified		CUSTOMER COPY	
lir	ecn no.	dr	date	linear	angles	dr	enrg	chr	appd
A	V10871	JWS	02-08-01	.XX±.01/0.X±0.3	0°±2°	J. SHAFFER	J. DODDS	J. DODDS	J. DODDS
B	V11848	LSS	07/10/01	.XXX±.005/0.XX±0.13		J. DODDS	J. DODDS	J. DODDS	J. DODDS
C	V12290	JWS	10/05/01	.XXX±.0020/0.XXX±0.051		J. DODDS	J. DODDS	J. DODDS	J. DODDS
D	V03-0571	TAB	05/28/03			J. DODDS	J. DODDS	J. DODDS	J. DODDS
E	DG05-0212	SJ	07/07/05			J. DODDS	J. DODDS	J. DODDS	J. DODDS
F	DG06-0005	JMG	01/05/06			J. DODDS	J. DODDS	J. DODDS	J. DODDS

projection	
MM	
scale	1:1

FCI		www.fciconnect.com	
title IP + 24S + IP RIGHT ANGLE SOLDER HEADER			
product family PwrBlade		code 213	
size	dwg no	sheet	
A	51882	1 of 4	

sheet index	revision sheet	F	F	F	F
		1	2	3	4

Pro/E

PDM: Rev:F

STAT **US: Released**

Printed: Aug 11, 2007

Tous droits strictement réservés. Reproduction ou communication o des liers interdite sous quelque forme que ce soit sans autorisation écrite du propriétaire. Propriété de c FCI. Drois de reproduction FCI.

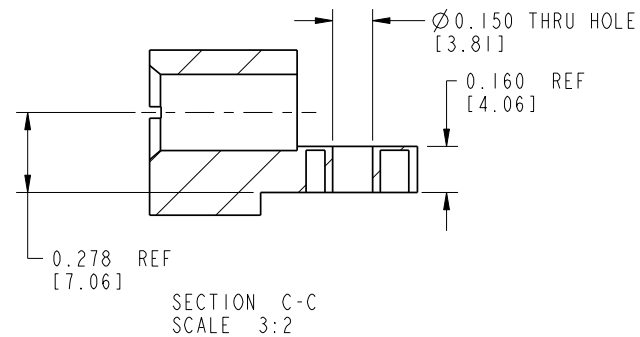
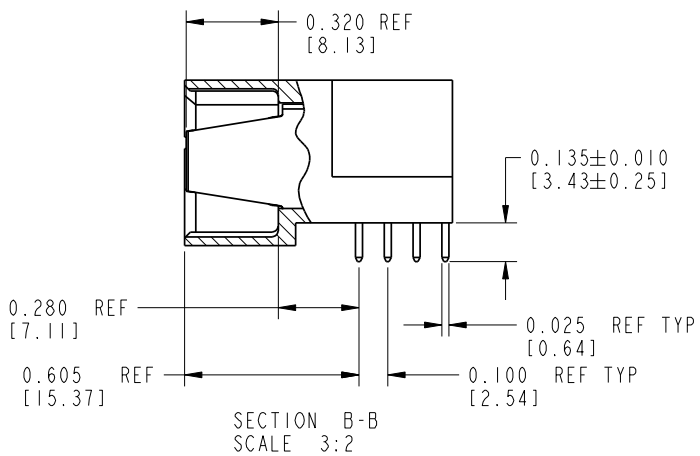
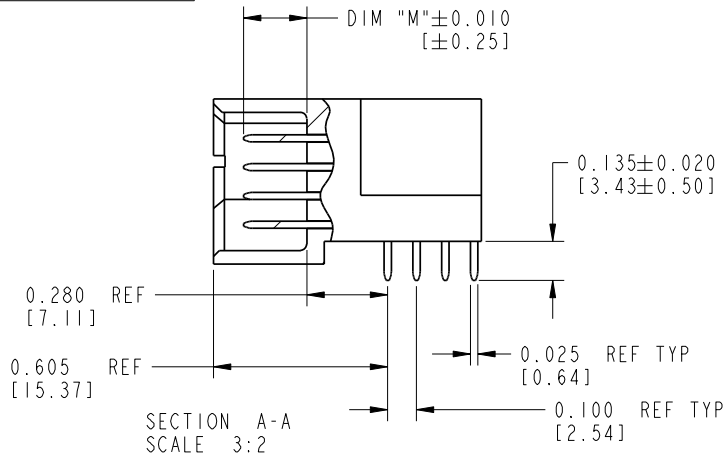
All rights strictly reserved. Reproduction or issue to third parties in any form whatever is not permitted without written authority from the proprietor. Property of FCI. Copyright FCI.

FCI

PRODUCT NUMBER

51882-001--

NOTE: (2)



CONFIDENTIAL

mat'l code		SEE NOTES		tolerances unless otherwise specified		CUSTOMER COPY		 www.fciconnect.com	
lir	ecn no.	dr	date	linear	.XX ± .01 / 0.X ± 0.3	projection	title		
F					.XXX ± .005 / 0.XX ± 0.13	 MM	IP + 24S + IP		
				angles	.XXX ± .0020 / 0.XXX ± 0.051		RIGHT ANGLE SOLDER HEADER		
				dr	J. SHAFFER 02-08-01	scale	product family		code
				enr	J. DODDS 02-08-01	1:1	PwrBlade		213
				chr	J. DODDS 02-08-01		size	dwg no	sheet
				appd	J. DODDS 02-08-01		A	51882	2 of 4
sheet index	revision sheet								

Pro/E

PDM: Rev:F

STAT **US: Released**

Printed: Aug 11, 2007

Tous droits strictement réservés. Reproduction ou communication o des liers interdite sous quelque forme que ce soit sans autorisation écrite du propriétaire. Propriete de c FCI. Droits de reproduction FCI.

FCI

All rights strictly reserved. Reproduction or issue to third parties in any form whatever is not permitted without written authority from the proprietor. Property of FCI. Copyright FCI.

A

B

1 | 2

3 |

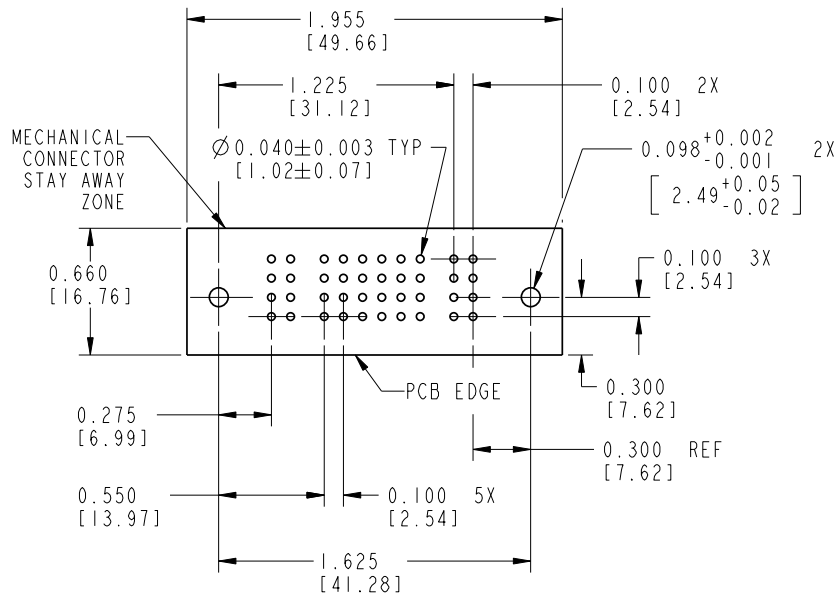
4

A

B

PRODUCT NUMBER

51882-001--
NOTE: (2)



RECOMMENDED PCB LAYOUT

CONFIDENTIAL

mat'l code		SEE NOTES		tolerances unless otherwise specified		CUSTOMER		 www.fciconnect.com	
lir	ecn no.	dr	date	linear	.XX±.01/0.X±0.3	COPY		title	
F				angles	.XXX±.005/0.XX±0.13	projection		IP + 24S + IP	
				dr	.XXX±.0020/0.XXX±0.051			RIGHT ANGLE SOLDER HEADER	
				enr	0°±2°	MM		product family	
				chr	J. SHAFFER 02-08-01	scale		PwrBlade	
				appd	J. DODDS 02-08-01	1:1		code	
sheet index		revision sheet				A		213	
						51882		3 of 4	

Pro/E

PDM: Rev:F

STAT **Released**

code code 22526 4
Printed: Aug 11, 2007

Tous droits strictement réservés. Reproduction ou communication o des liers interdite sous quelque forme que ce soit sans autorisation écrite du propriétaire. Propriete de c FCI. Droits de reproduction FCI.

A
FCI

All rights strictly reserved. Reproduction or issue to third parties in any form whatever is not permitted without written authority from the proprietor. Property of FCI. Copyright FCI.

B

1 | 2

3 |

4

A

B

PRODUCT NUMBER

51882-001--
NOTE: ②


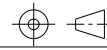
CONNECTOR NOTES:

- HOUSING MATERIAL: UL 94 V-0 GLASS FILLED HIGH TEMP THERMOPLASTIC
POWER CONTACT MATERIAL: COPPER ALLOY
SIGNAL CONTACT MATERIAL: COPPER ALLOY
- 51882-001;51882-001LF;51882-001GLF PLATING SPEC. SEE PRINT:10064183
- "MANUFACTURER" NAME, P/N, AND DATE CODE TO APPEAR ON THIS SURFACE
- PRODUCT SPECIFICATION GS-12-149

PCB NOTES:

- ALL DIMENSIONS ARE BASIC UNLESS OTHERWISE SPECIFIED.
- ALL THROUGH HOLES ARE LOCATED WITH A TRUE POSITION OF 0.004 [0.10]
- ALL HOLE DIAMETERS ARE FINISHED HOLE SIZE
- ∅0.158[4.01] THROUGH HOLES ARE UNPLATED.
- ∅0.0453±0.0010 [1.151±0.025] DRILLED HOLES PLATED WITH 0.0003 [0.008] MIN SnPb OVER 0.001 [0.03] TO 0.003 [0.08] Cu PLATING TO ACHIEVE A ∅0.040±0.003 [1.02±0.07] HOLE.
- CONNECTOR CONTAINS REVISED POWER CONTACTS.

CONFIDENTIAL

mat'l code		SEE NOTES		tolerances unless otherwise specified		CUSTOMER		 www.fciconnect.com	
lfr	ecn no.	dr	date	linear	.XX±.01/0.X±0.3	COPY		title	
F					.XXX±.005/0.XX±0.13	projection		IP + 24S + IP	
				angles	.XXX±.0020/0.XXX±0.051			RIGHT ANGLE SOLDER HEADER	
				dr	0° ± 2°	INCH/MM		product family	
				enrg	J. SHAFFER 02-08-01	scale		PwrBlade	
				chr	J. DODDS 02-08-01	1:1		code	
				appd	J. DODDS 02-08-01	A		213	
sheet index		revision sheet		size		dwg no		sheet	
				A		51882		4	

1 | 2

Pro/E

PDM: Rev:F

STAT **US: Released**

code code 22526 4
Printed: Aug 11, 2007